

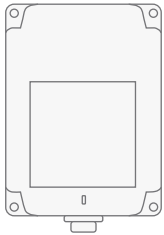


samsara

# Asset Gateway

## REEFER INSTALL GUIDE

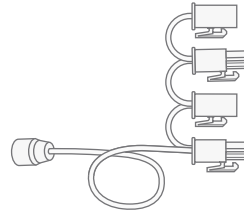
### What's included:



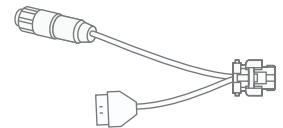
1x Asset Gateway



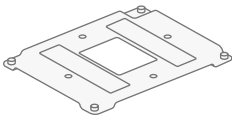
1x Reeper Y-Cable



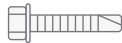
1x Thermo King Pigtail



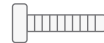
1x Carrier Pigtail



1x Mounting Plate



4x Self-Tapping Screws



4x Flat-End Screws



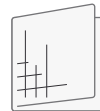
Bullet Connectors



Ring Terminals



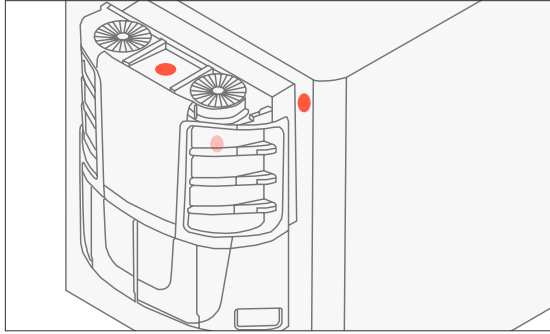
Zip Ties



Cleaning Wipes

**NOTICE:** Damage to Customer's transportation refrigeration unit resulting from the use of this product may not be covered by unit manufacturer's warranty. Please see Samsara Warranty Policy at [samsara.com/support](https://samsara.com/support) for information on Samsara's refrigeration unit defect repair coverage.

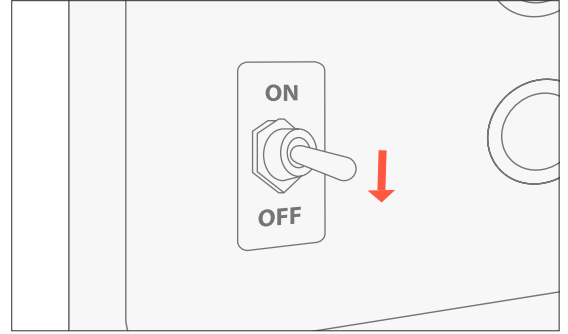
1



Determine desired location of AG24, as high on trailer as possible.

Some options are: on top of reefer (avoiding airflow of the cooling fan), inside reefer cabinet, or on the outside of trailer.

2



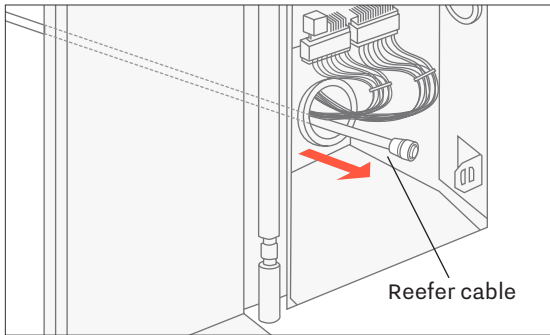
Turn all power OFF.

**For Thermo King, follow steps 3a-6a.**

**For Carrier, follow steps 3b-7b.**

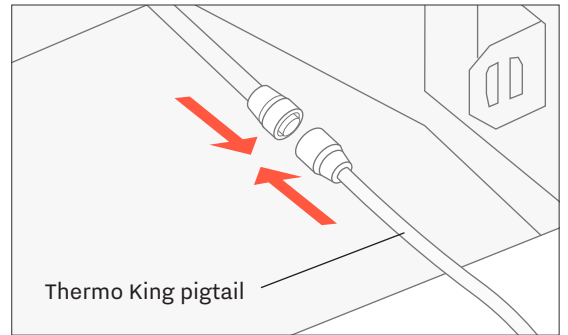
**THERMO KING steps 3a-6a**

3a



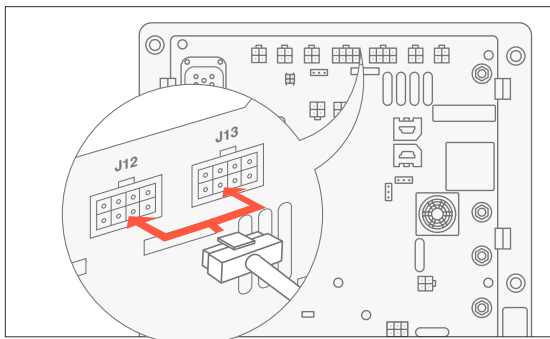
Open Thermo King cabinet and electronics control box (may require unbolting). Route reefer end of Y-cable into control box via rear grommet.

4a



Attach Thermo King pigtail to Y-cable.

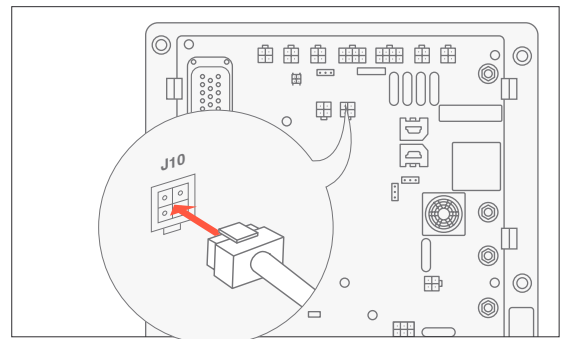
5a



Connect Thermo King 8-pin connector to CAN1 (J12), CAN2 (J13) or CAN3 (J14).

Note: If all ports are occupied, the pigtail includes an optional pass-through extension that provides an additional CAN port.

6a

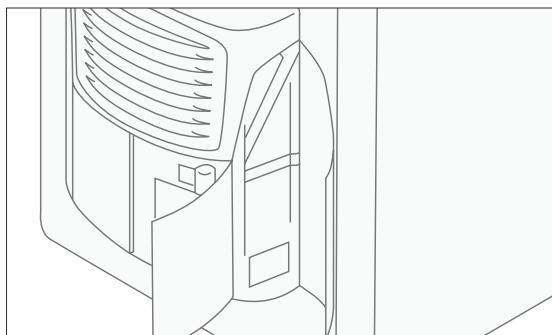


Connect Thermo King 4-pin connector to J10.

Note: J10 may be located in upper right of control board depending on model. If J10 is occupied, the pigtail includes an optional pass-through extension that provides an additional CAN port.

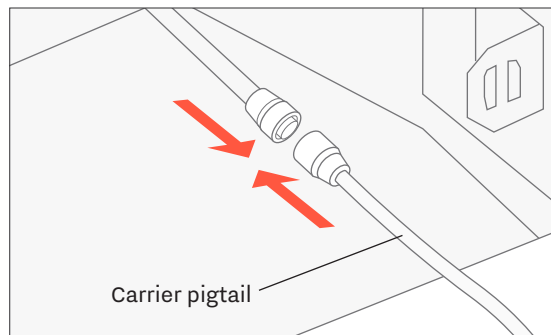
Proceed to step 8.

3b



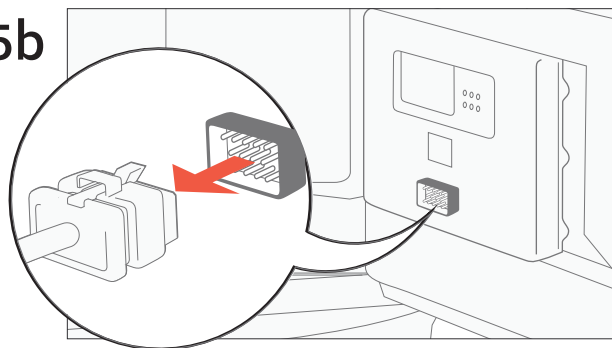
Open Carrier unit so that the back of the Display Module (DM) is accessible.

4b



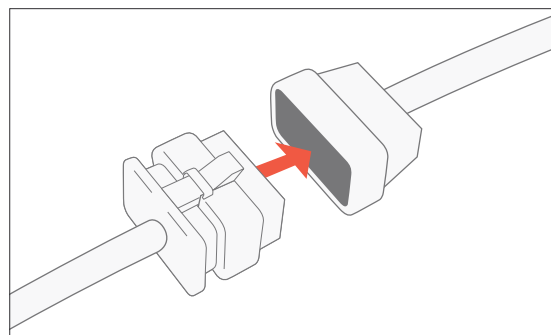
Attach Carrier pigtail to Y-cable.

5b



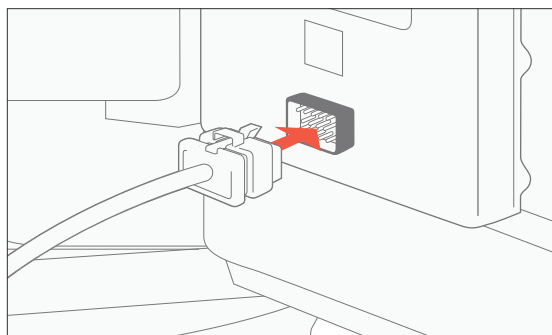
If Display Module (DM) circuit is in use, unplug the engine harness.

6b



If engine harness was unplugged, re-plug it into Samsara's extra adaptor (located on the Carrier pigtail).

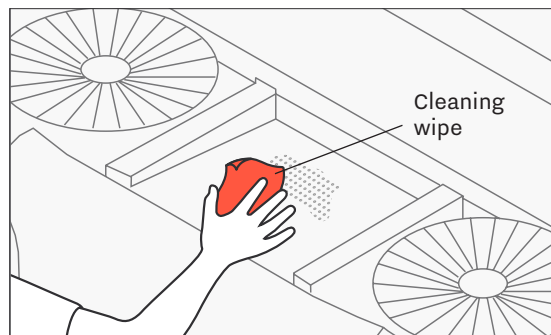
7b



Plug Samsara Carrier pigtail into the DM circuit.

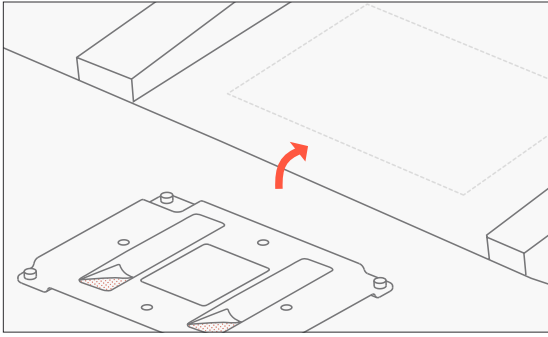
Proceed to step 8.

8



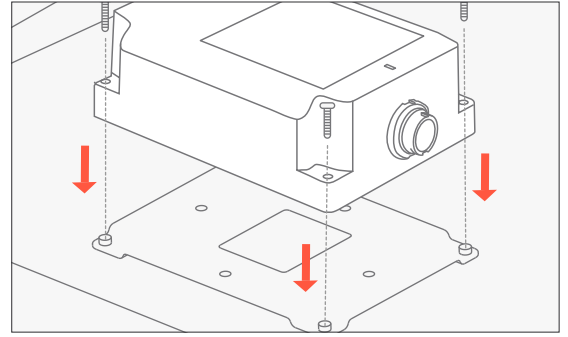
Thoroughly clean mounting location with cleaning wipe.

9



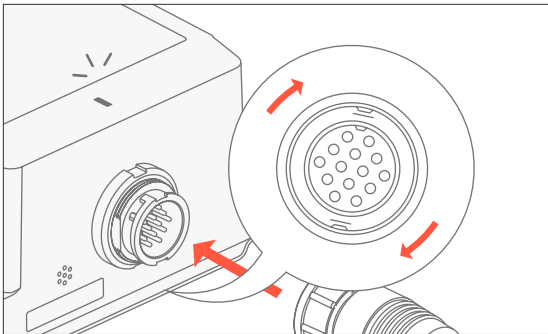
Attach mounting plate with adhesive. Secure with 4 self-tapping screws (bag 1) if desired.

10



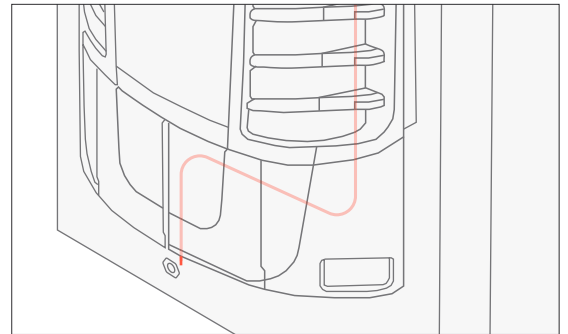
Mount AG24 onto mounting plate with 4 flat-end screws (bag 2).

11



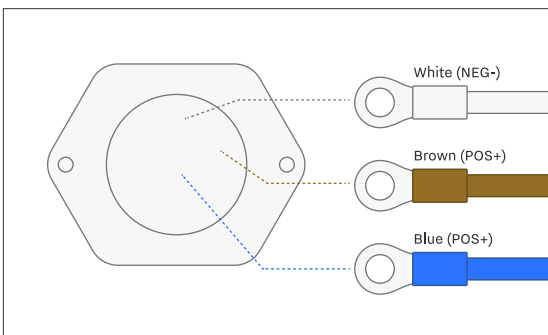
Plug AG24 end of Y-cable into AG24 and twist to secure. AG light turns on for 30 seconds when correct.

12



Run 7-way cable along frame to trailer connector. Fasten to trailer with zip ties and self-tapping screws.

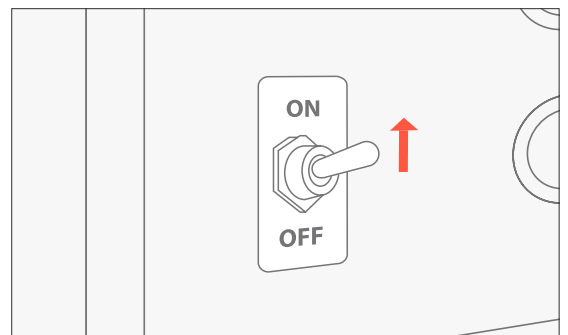
13



Connect 7-way cable to 7-way trailer connector.

See connection pin diagram illustrated above (some trailers may vary). Connect BLUE (POS+) lead to Aux power (BLU), BROWN (POS+) lead to tail lights (BRN), and WHITE (NEG-) lead to ground (WHT). If backup power is not desired, BROWN (POS+) lead can be left floating.

14



Turn ON power switches to complete install.